

**GANTRY CRANE**

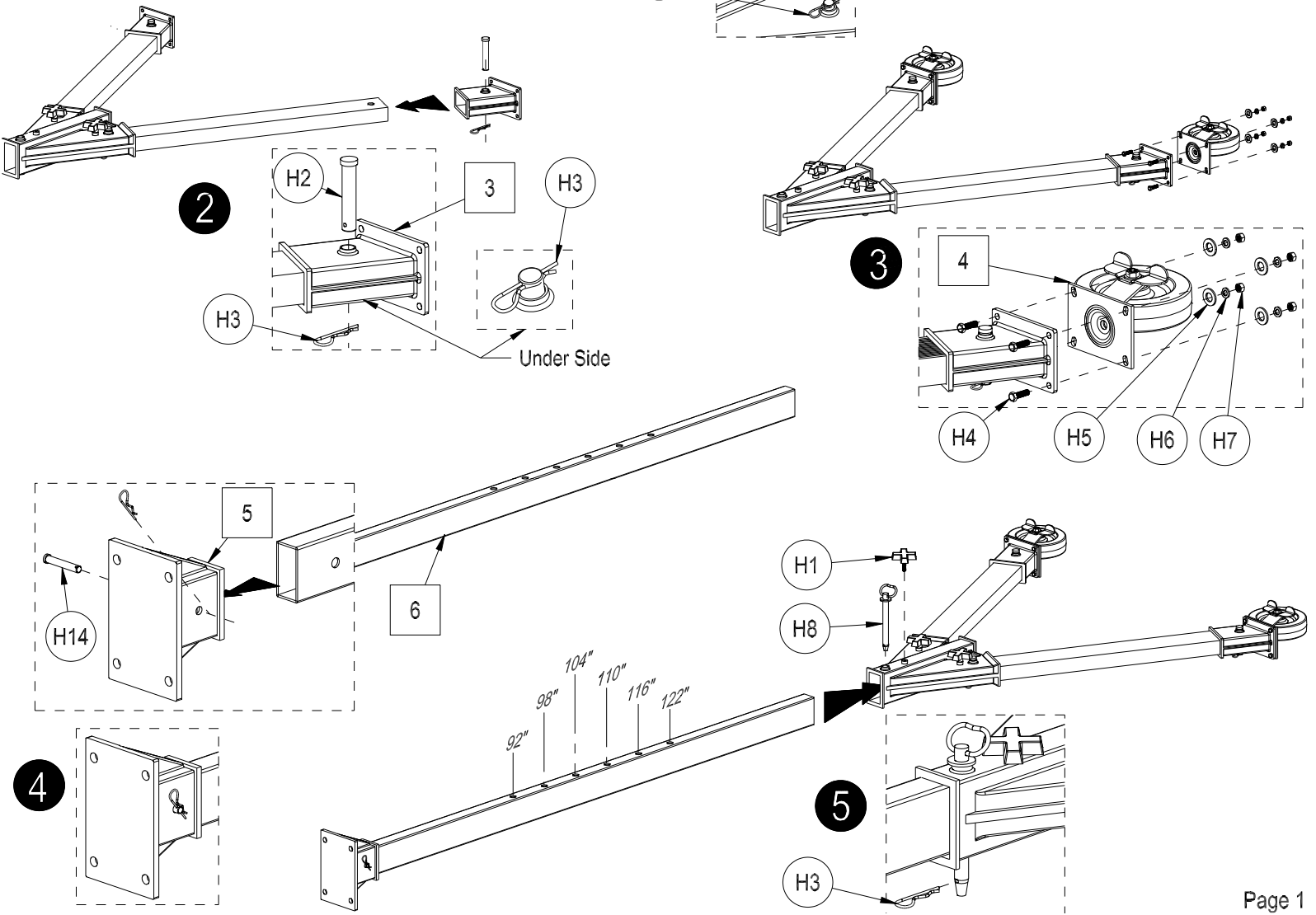
Model 298480 / 298481

298605 / B2262133

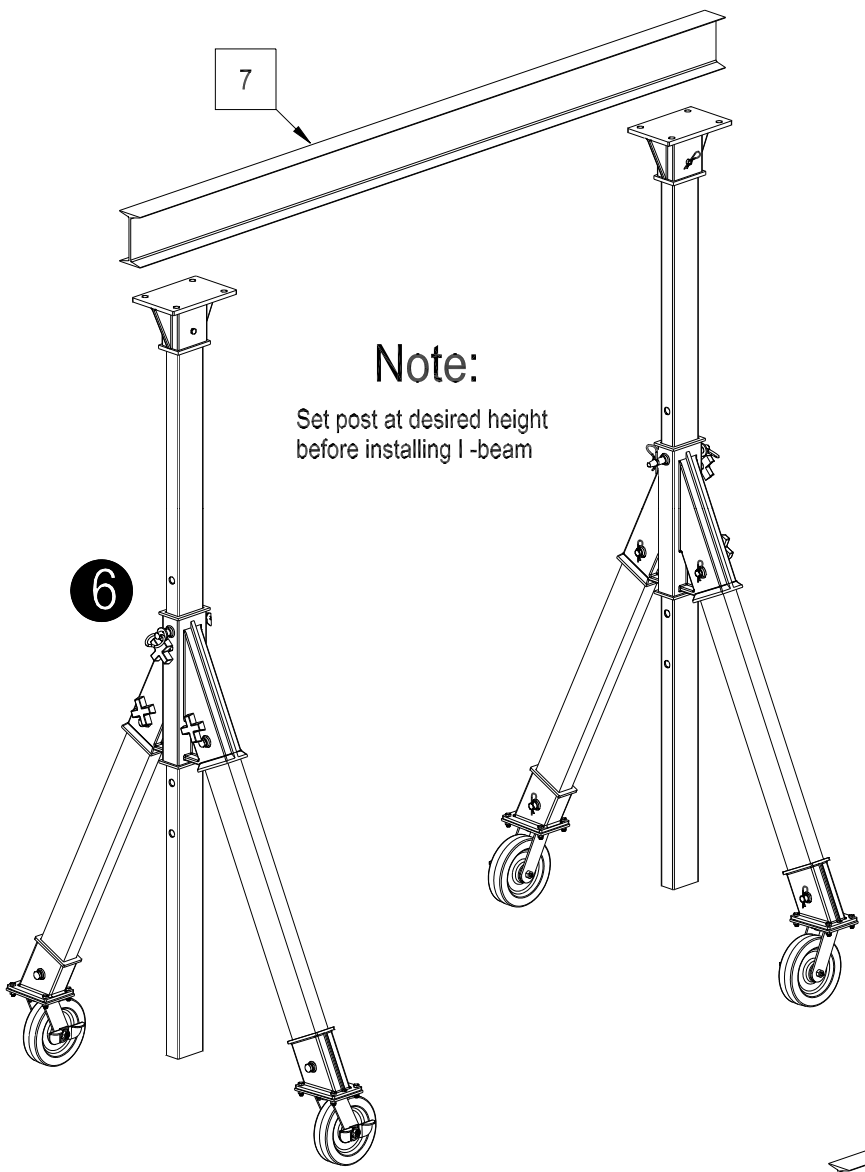
Assembly Instruction

CONTENTS		
REF.	QTY.	DESCRIPTION
H1	6	Knob
H2	8	Clevis Pin (Large)
H3	12	Cotter Pin
H4	16	3/8-16 x 1 1/2 Hex Bolt
H5	16	.42 I.D. Plain Washer
H6	16	.42 I.D. Lock Washer
H7	16	3/8-16 Hex Nut
H8	2	Height Adjustment Pin
H9	8	9/16-1/2 x 2 1/2 Hex Shoulder Bolt
H10	8	Clamp
H11	8	.6 I.D. Plain Washer
H12	8	.6 I.D. Lock Washer
H13	8	9/16-12 x 2 1/2 Hex Nut
H14	2	Clevis Pin (Small)

CONTENTS		
REF.	QTY.	DESCRIPTION
1	4	Leg
2	2	Y-Connector
3	4	Base Connector
4	4	Swivel Locking Caster
5	2	Top Support Connector
6	2	Adjustable Post
7	1	I-Beam



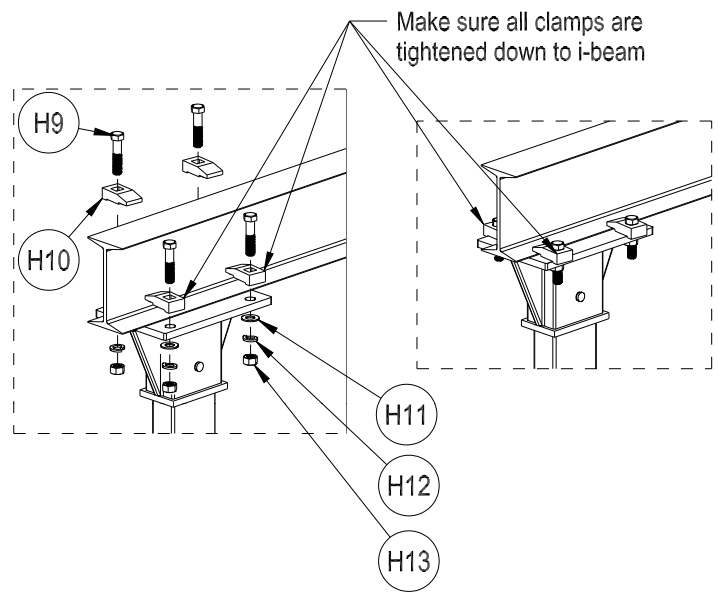
7



**Note:**

Set post at desired height before installing I-beam

6



Make sure all clamps are tightened down to i-beam

H9

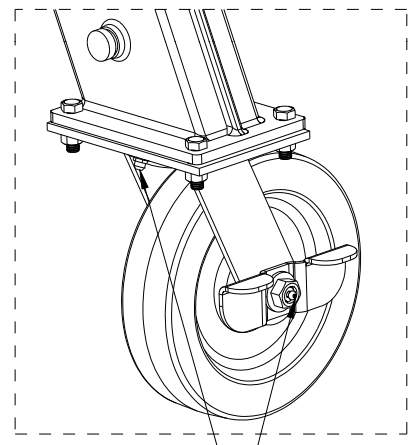
H10

H11

H12

H13

7



Grease fittings

